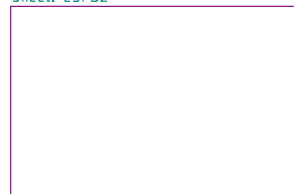


Sheet: Power



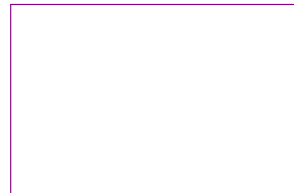
File: sumo_6_power.sch

Sheet: ESP32



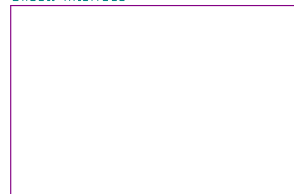
File: sumo_6_proc.sch

Sheet: Motor



File: sumo_6_motor.sch

Sheet: Interface






File: sumo_6_interface.sch

Sheet: Connectors



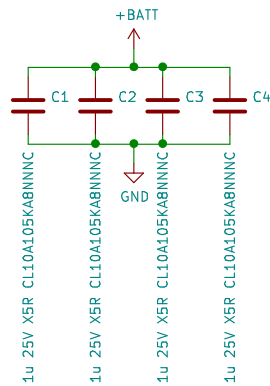
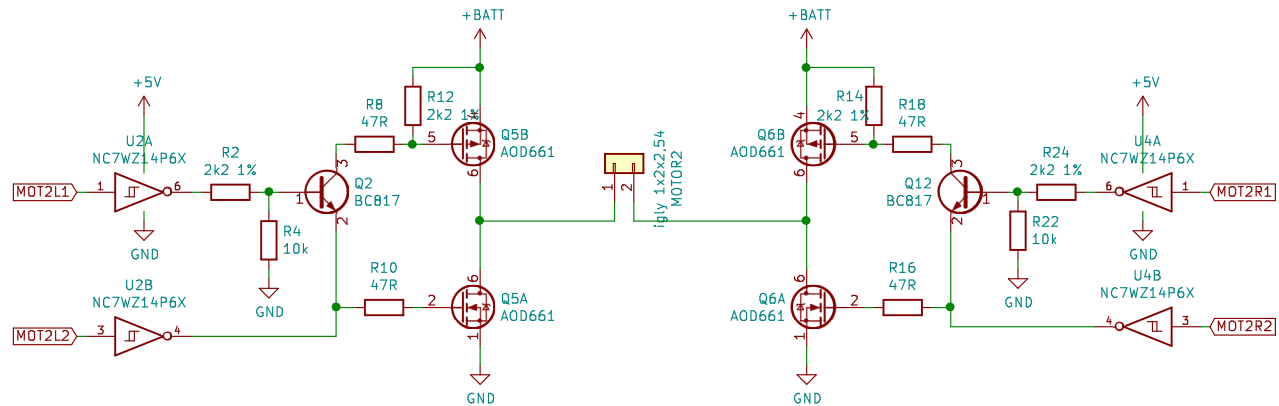
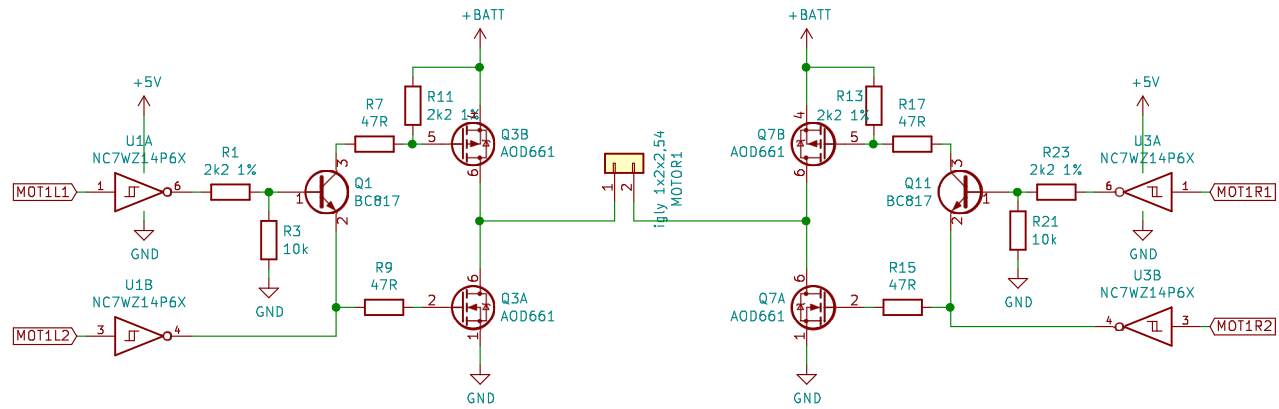
File: sumo_6_conn.sch

-  H1 MountingHole
-  H2 MountingHole
-  H3 MountingHole

-  FID1 Fiducial
-  FID2 Fiducial
-  FID3 Fiducial



| | | | |
|------------------------|---|------------------|--|
| Sheet: / | | File: sumo_6.sch | |
| Title: Minisumo | | | |
| Size: A4 | Date: | Rev: | |
| KiCad E.D.A. | kidcad 5.1.10-88a1d61d5888ubuntu20.04.1 | Id: 1/6 | |

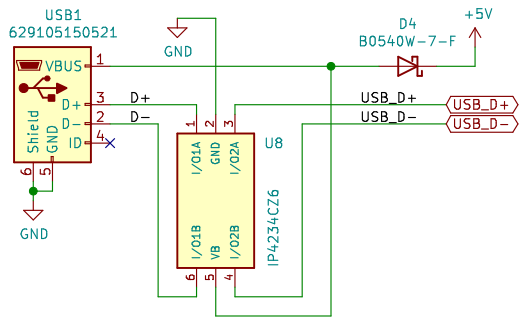


Sheet: /Motor/
File: sumo_6_motor.sch

Title:

Size: A4 Date:
KiCad E.D.A. kicad 5.1.10-88a1d61d5888ubuntu20.04.1

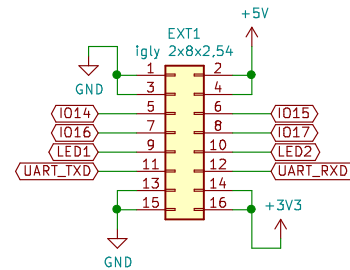
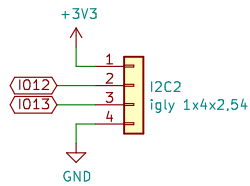
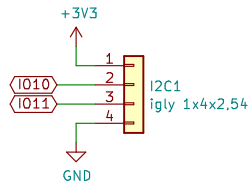
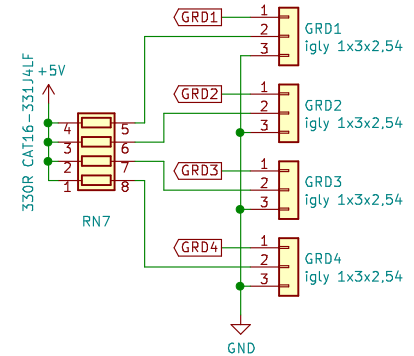
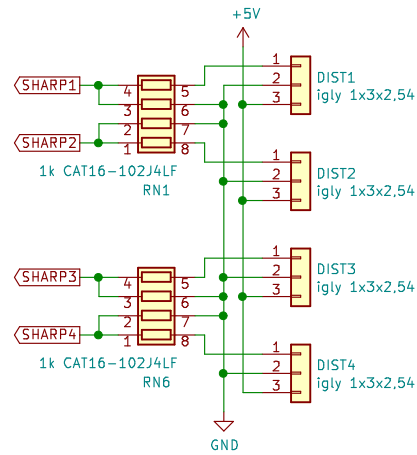
Rev:
Id: 2/6



10u 16V X5R 0805YD106KAT2A C5

+5V

GND



SIMS

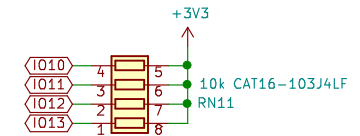
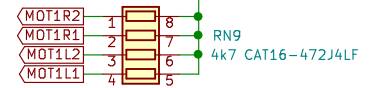
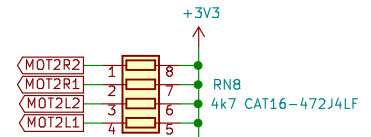
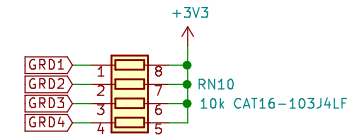
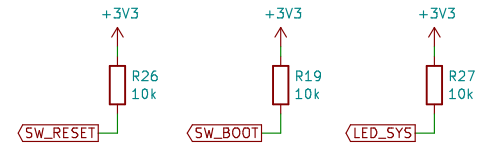
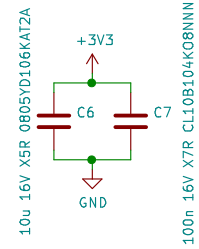
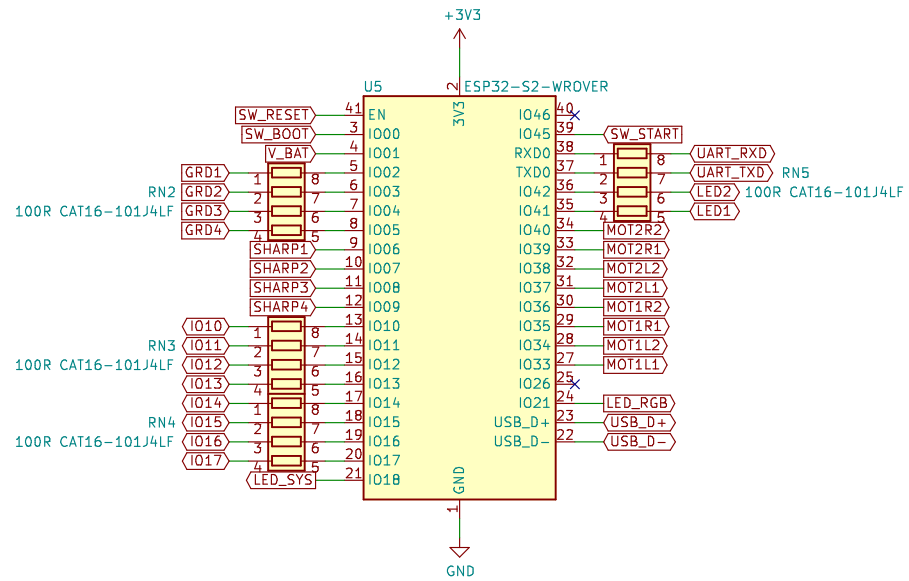
POLITECHNIKA BYDGOSKA
im. Jana i Jędrzeja Śniadeckich

Sheet: /Connectors/
File: sumo_6_conn.sch

Title:

Size: A4 Date:
KiCad E.D.A. kicad 5.1.10-88a1d61d5888ubuntu20.04.1

Rev:
Id: 3/6

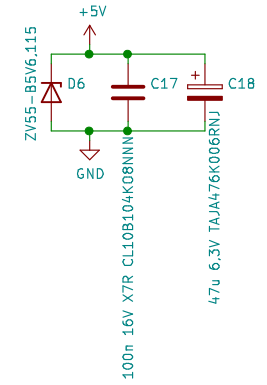
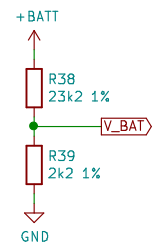
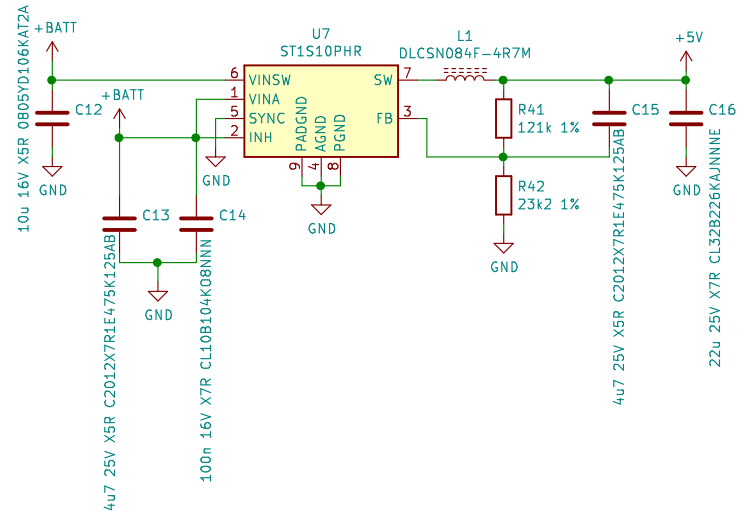
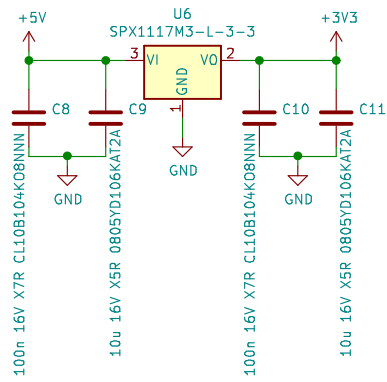
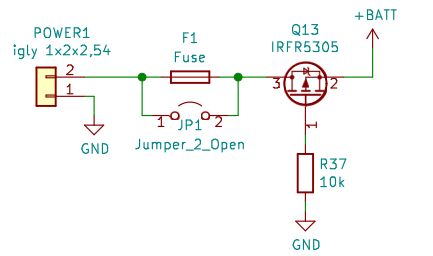


Sheet: /ESP32/
File: sumo_6_proc.sch

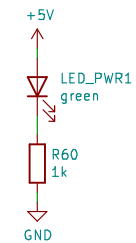
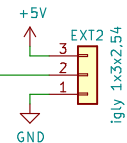
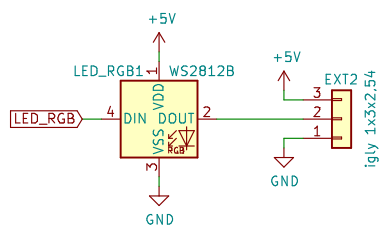
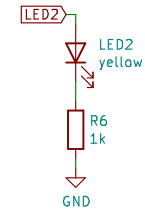
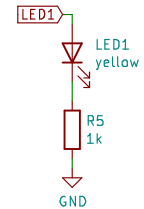
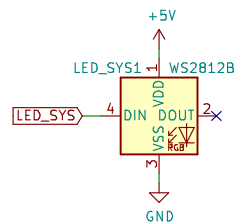
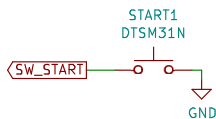
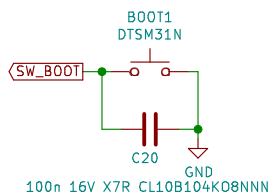
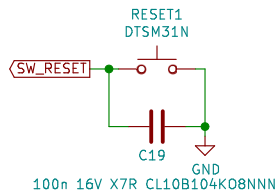
Title:

Size: A4 Date:
KiCad E.D.A. kicad 5.1.10-88a1d61d5888ubuntu20.04.1

Rev:
Id: 4/6



| | | | |
|------------------------|---|---------|--|
| Sheet: /Power/ | | Date: | |
| File: sumo_6_power.sch | | Rev: | |
| Title: | | Id: 5/6 | |
| Size: A4 | KiCad E.D.A. kicad 5.1.10-88a1d61d5888ubuntu20.04.1 | | |



SiMS

**POLITECHNIKA
BYDGOSKA**
im. Jana i Jędrzeja Śniadeckich

Sheet: /Interface/
File: sumo_6_interface.sch

Title:

Size: A4 Date:
KiCad E.D.A. kicad 5.1.10-88a1d61d5888ubuntu20.04.1

Rev:
Id: 6/6